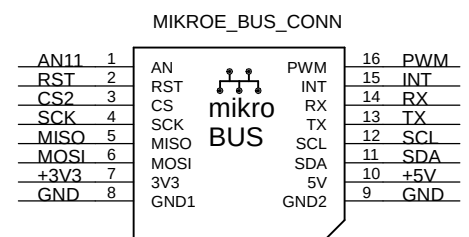


PIC24FJ256GB108 microcontroller pins

MicroBUS connector



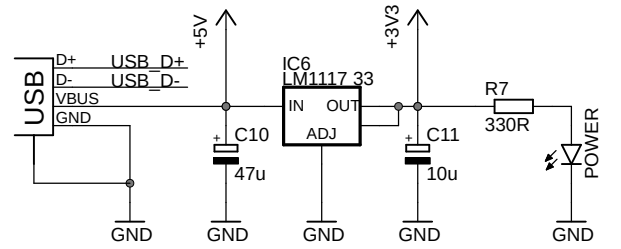
Note:

■ Pins are +5.5 VDC tolerant

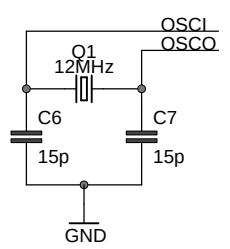
Functions:

- ANx A/D Analog Inputs (x[0..15])
- CxINX Comparator Inputs (x[1..3],X[A..D])
- CNx Interrupt-on-Change Inputs (x[0..78])
- RXx Digital I/O Ports (X[A..G],x[0..15])
- RPx Remappable Peripheral (input or output)
- RPIx Remappable Peripheral (input only)

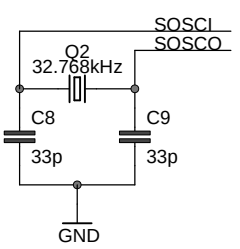
Low-Dropout Linear Regulator (Power supply from USB 5V -> 3.3V/800mA)



Main oscillator

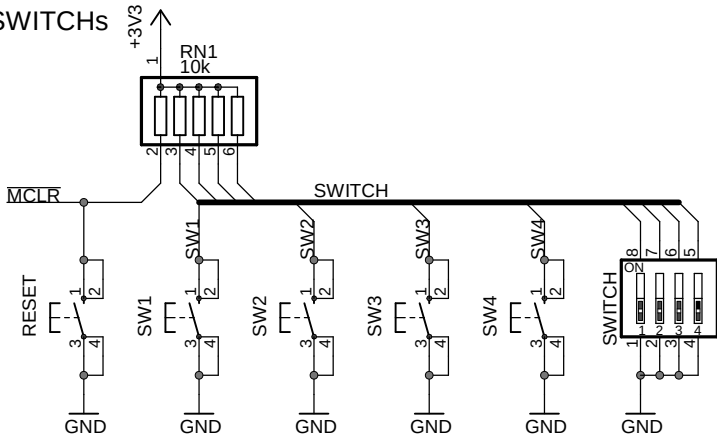


Clock oscillator

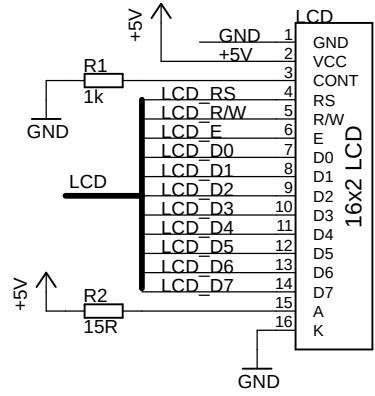


Company: BME - MOGI	Date: 2019
TITLE: uMogi2	Sheet: 1/2

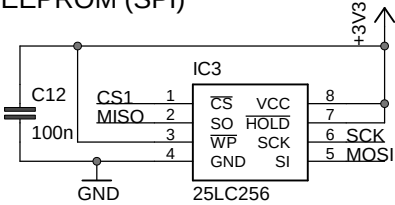
SWITCHES



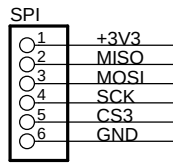
2x16 LCD



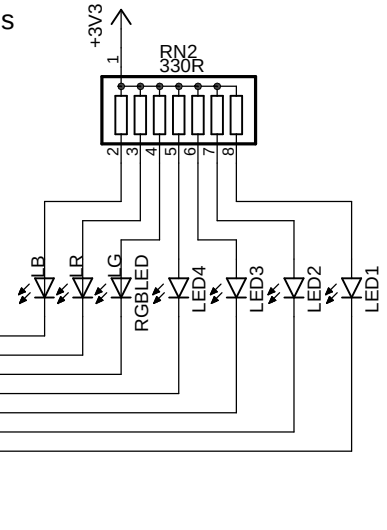
EEPROM (SPI)



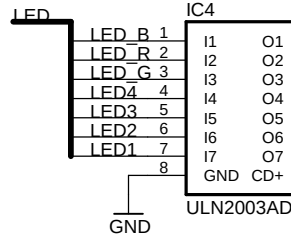
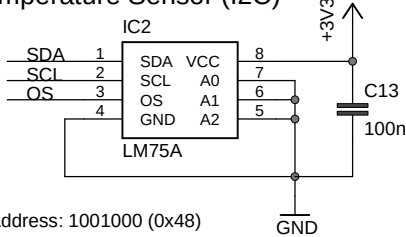
SPI Header



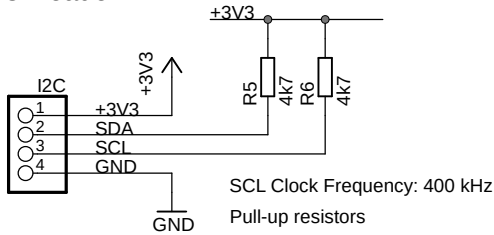
LEDs



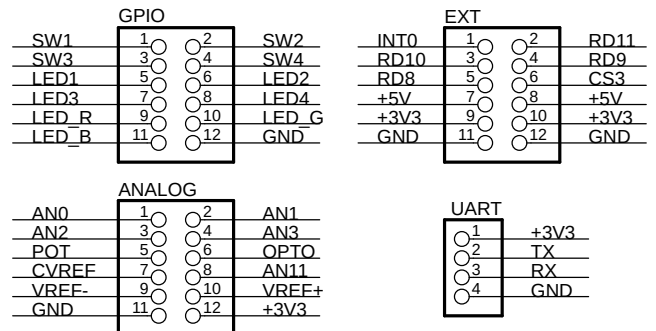
Temperature Sensor (I2C)



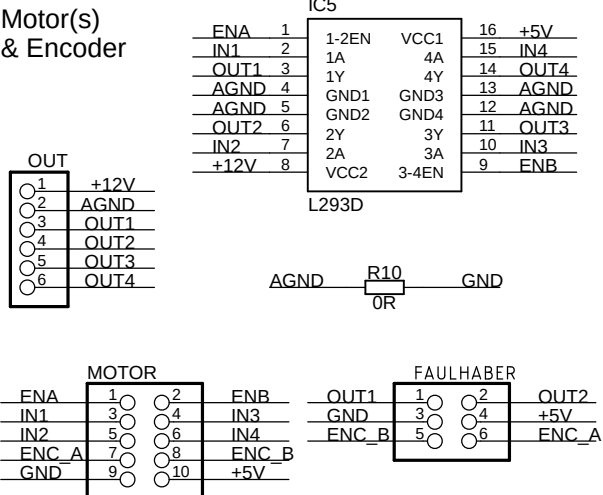
I2C Header



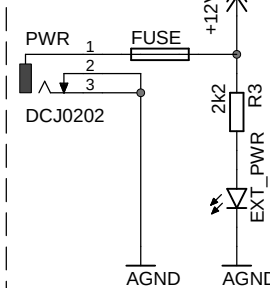
Headers



Motor(s) & Encoder



Power 12V



Analog Sensors

